

CQR Fire & Security

PADP2 Series User Manual

Overview

Your security system is equipped with a CQR Personal Attack button designed to summon an urgent response.

Your CQR Personal Attack button should only be used for the purpose intended.

Your system installer will guide you on the method of operation and resetting procedure.

Features

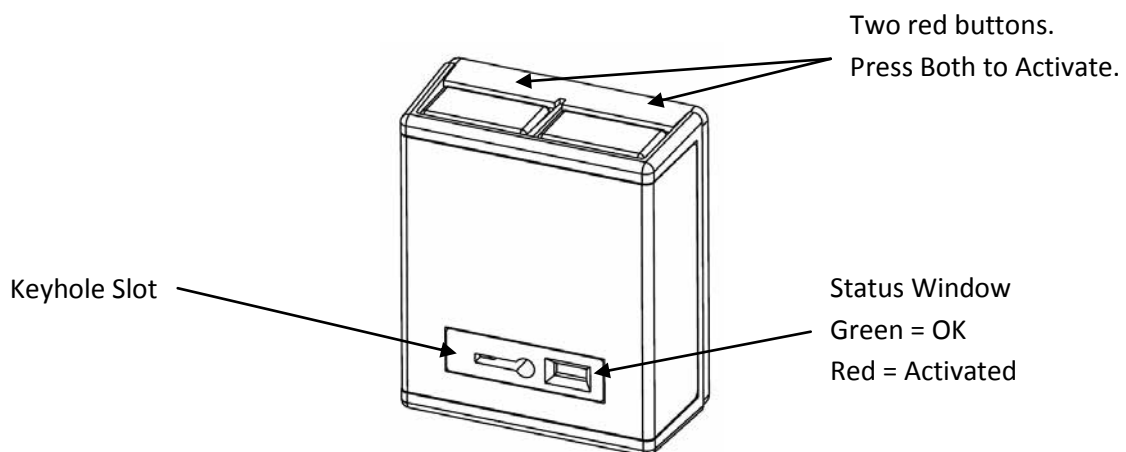
Note that your CQR Personal Attack button has the following features:

Two red buttons that press inwards to activate the system.

A keyhole slot to reset the Personal Attack Button.

A status window which indicates the normal or activated states.

A key is supplied for resetting the button after a activation.



Method of Operation

Only, In the event of an emergency you simply press the two red buttons simultaneously to activate the PA button.

Pressing only one button will not activate the system; both buttons need to be pressed together for a successful activation.

The PA status window will show red in colour when activated.

Resetting

After activating the PA button, the device will require resetting.

To reset the button insert key into the keyhole slot and turn clockwise 90°

After resetting, the PA status window will show green in colour.