

## //DATASHEET

### XS4 2.0 CONTROLLER

Cutting-edge design + Amazing technology:

The SALTO XS4 2.0 Controller incorporates the cutting edge design standard of the XS4 2.0 product range in this technological powerhouse.

### XS4 2.0 CONTROLLER CU42xx

**SALTO**  
inspired access



# SALTO XS4 2.0 CONTROLLER ONLINE

SALTO's latest Control Unit makes it even easier to bring superior access control to your facility thanks to the ability to control and manage multiple doors through one Ethernet connection and one IP address.

This means that extending SALTO access control benefits to all those doors where a stand-alone electronic escutcheon cannot be fitted (electric strikes, magnets, barriers, elevators, etc.) is even easier and more cost-effective.

## XS4 2.0 CONTROLLER: ONLINE

CU42E0



### MAIN FEATURES:

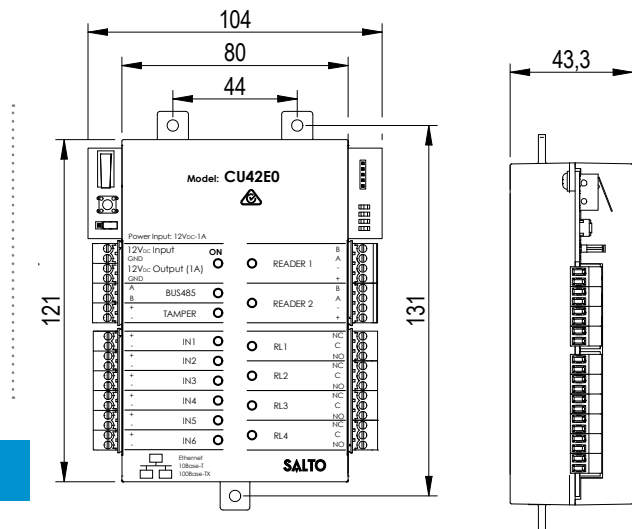
- Online IP based door controller.
- Two wall reader connection that can be configured as 2 different doors or one door reader in and reader out locking.
- Antipass-back mode available by connecting 2 wall readers and set up as one door.
- 4 relay outputs.
- 6 inputs to connect to:
  - Door detector, request to exit switch (RTE), office switch.
- 2 different tampers:
  - one tamper input
  - and one tamper switch.
- Door monitoring and tamper monitoring via contacts input (intrusion alarm and door left opened alarm).

### MECHANICAL ASPECTS:

- Dimensions: 104mm x 131mm x 43,3mm (W x H x D).
- Weight: 0.5kg.

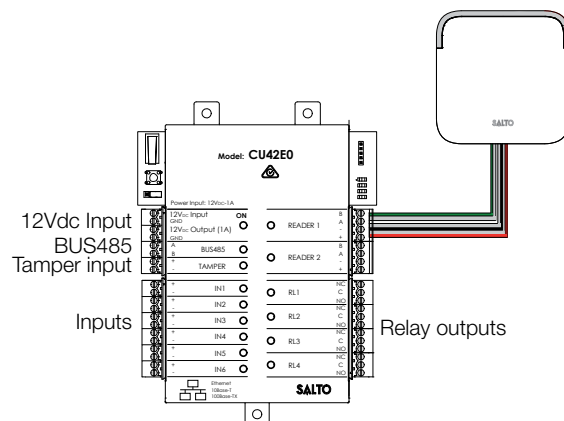
### CERTIFICATIONS:

- CE conform
- UL 294 (pending)
- FCC certified



- To be used with all SALTO XS4 2.0 Readers (WRDxxxx, WRM9004<sup>1</sup> and WR9004FS<sup>1</sup> series).
- Virtual network capable through SALTO Virtual Network technology.
- All communications between the carrier and the wall reader are encrypted and secure<sup>2</sup>.
- The maximum cable length between the door controller and the wall reader is up to 400 meters<sup>3</sup>.
- Connection to the wall reader using 4 wire connection, twisted pair.
- Power consumption: 12V DC 400mA (without XS4 2.0 readers), supplied by an adaptor. POE version to be released.

### INSTALLATION:



<sup>1</sup> Not available yet.

<sup>2</sup> Depending on the card and the RFID technology

<sup>3</sup> Depending on the cable.

# SALTO XS4 2.0 CONTROLLER ONLINE WITH HOUSING

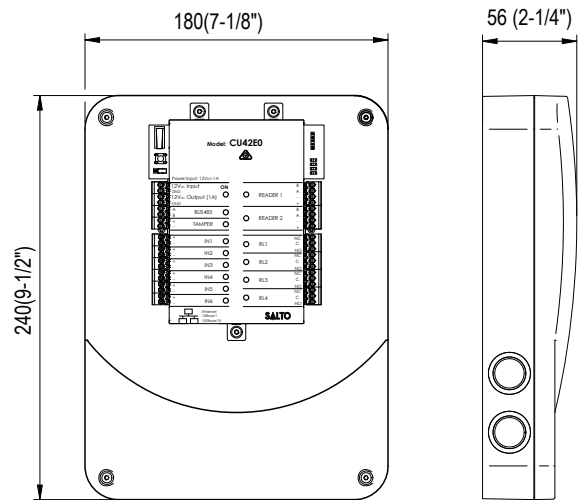
SALTO's latest Control Unit makes it even easier to bring superior access control to your facility thanks to the ability to control and manage multiple doors through one Ethernet connection and one IP address.

This means that extending SALTO access control benefits to all those doors where a stand-alone electronic escutcheon cannot be fitted (electric strikes, magnets, barriers, elevators, etc.) is even easier and more cost-effective.

With the new XS4 2.0 Controller Online with Housing it is easier to install and it enhanced the aesthetic and sturdiness.

## XS4 2.0 CONTROLLER: ONLINE WITH HOUSING

### CU42E0x



### MAIN FEATURES:

- Online IP based door controller.
- Two wall reader connection that can be configured as 2 different doors or one door reader in and reader out locking.
- Antipass-back mode available by connecting 2 wall readers and set up as one door.
- 4 relay outputs.
- 6 inputs to connect to:
  - Door detector, request to exit switch (RTE), office switch.
- 2 different tampers:
  - one tamper input
  - and one tamper switch.
- Door monitoring and tamper monitoring via contacts input (intrusion alarm and door left opened alarm).

- To be used with all SALTO XS4 2.0 Readers (WRDxxxx, WRM9004<sup>1</sup> and WR9004FS<sup>1</sup> series).
- Virtual network capable through SALTO Virtual Network technology.
- All communications between the carrier and the wall reader are encrypted and secure<sup>2</sup>.
- The maximum cable length between the door controller and the wall reader is up to 400 meters<sup>3</sup>.
- Connection to the wall reader using 4 wire connection, twisted pair.
- Power consumption: 12V DC 400mA (without XS4 2.0 readers), supplied by an adaptor. POE version to be released.
- 2 different Housing finishes translucent or grey opac.
- 8 pre-punched holes to fit the wiring.
- Screws and caps included.

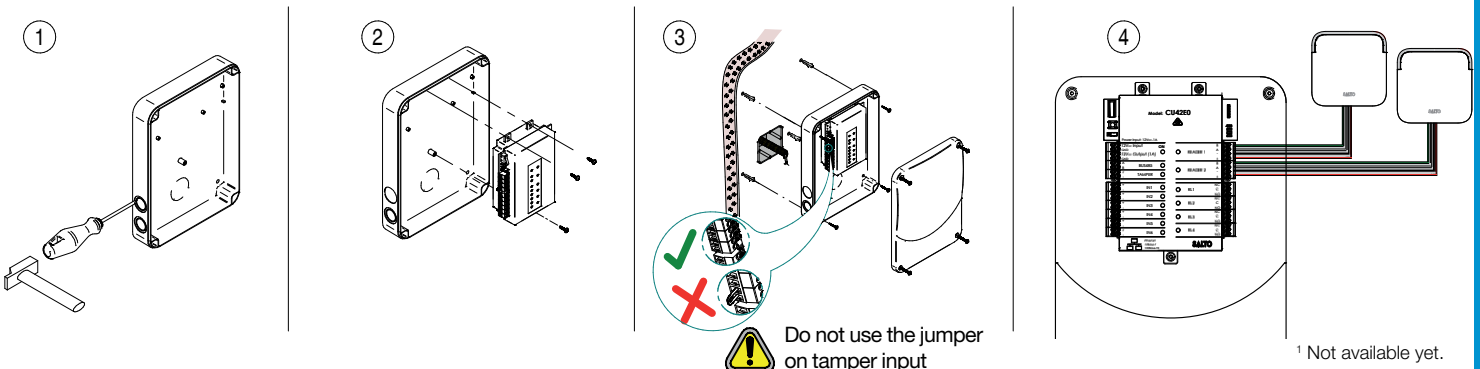
### MECHANICAL ASPECTS:

- Dimensions: 180mm x 240mm x 56mm (W x H x D).
- Weight: 0.7kg.

### CERTIFICATIONS:

- CE conform
- UL 294 (pending)
- FCC certified

### INSTALLATION:



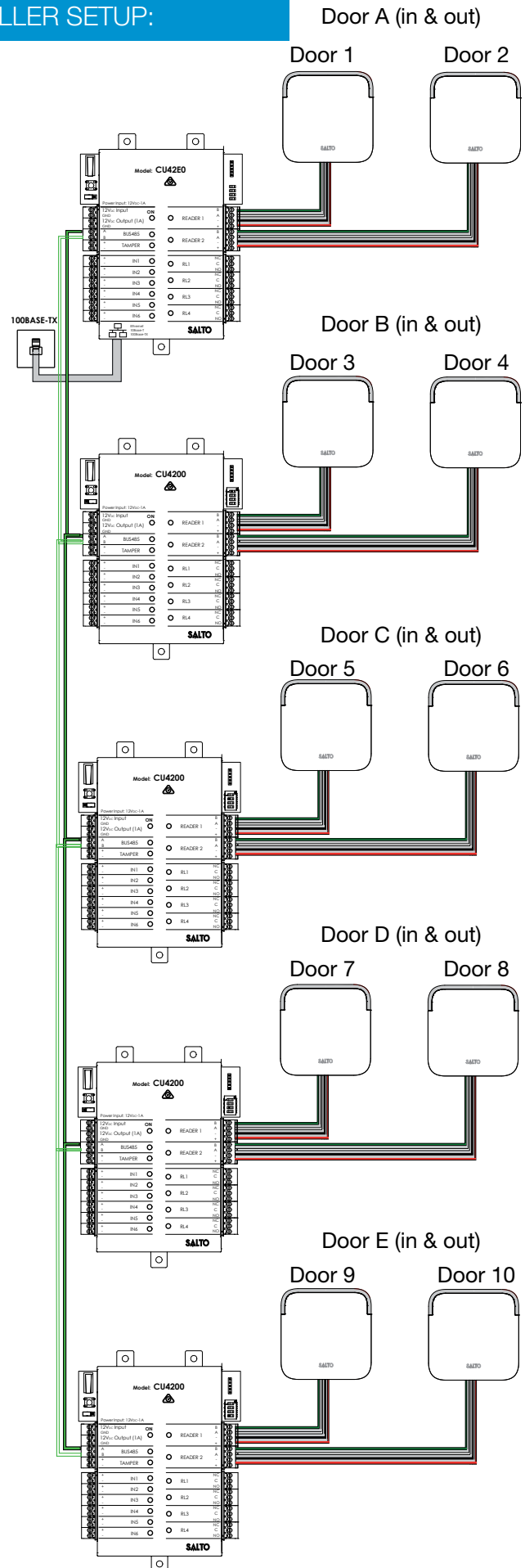
**XS4 2.0 CONTROLLER - ONLINE DOOR CONTROLLER SETUP:**

**ONLINE CONTROLLER (CU42E0):**

- Connection with the server via Ethernet 100BASE-TX or 10Base-T.
- Requires one IP address.
- Initialization via Ethernet online connection.
- Set up through SALTO ProAccess SPACE software.
- Set up:
  - As One door (reader in & reader out).
  - Two doors (reader one - door one, reader two - door two).
- Supports up to 4 auxiliar controllers (CU4200).
- One IP address needed to control up to 10 doors.

**ONLINE AUXILIAR CONTROLLER (CU4200):**

- Connection with the online controller (CU42E0) via BUS485.
- Do not requires IP address.
- Initialization via Ethernet online connection.
- Set up through SALTO ProAccess SPACE software.
- Set up:
  - As One door (reader in & reader out).
  - Two doors (reader one - door one, reader two - door two).



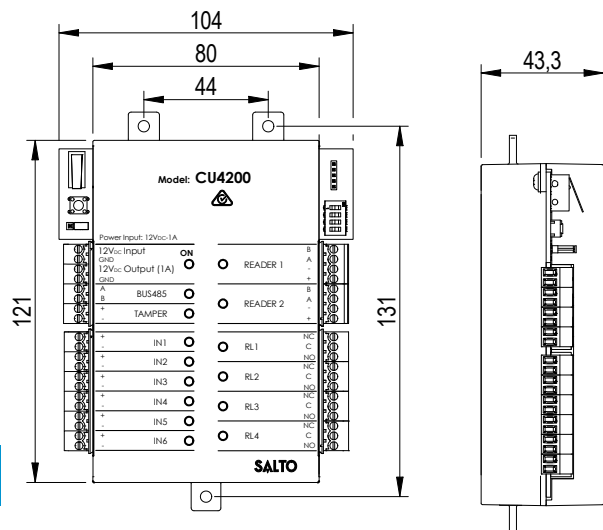
# SALTO XS4 2.0 AUXILIAR OR OFFLINE CONTROLLER

SALTO's latest Control Unit makes it even easier to bring superior access control to your facility thanks to the ability to control and manage multiple doors through one Ethernet connection and one IP address.

The New SALTO XS4 2.0 Controller CU4200 is an auxiliary controller that do not requires an IP address and can be set up as an auxiliary controller connected to an XS4 online controller (CU42E0) or can work as offline controller reducing the costs of installation keeping all the advantages of the SALTO Data-on-card technology.

## XS4 2.0 CONTROLLER: AUXILIAR OR OFFLINE

CU4200



### MAIN FEATURES:

- Two wall reader connection that can be configured as 2 different doors<sup>1</sup>, or one door reader-in and reader-out locking if set up as offline and programmed via PPD.
- Antipass-back mode available by connecting 2 wall readers and set up as one door.
- 4 relay outputs.
- 6 inputs to connect to:
  - Door detector, request to exit switch (RTE), office switch.
- 2 different tampers:
  - One tamper input,
  - and one tamper switch.
- Door monitoring and tamper monitoring via contacts input (intrusion alarm and door left opened alarm)<sup>2</sup>.

- To be used with all SALTO XS4 2.0 Readers (WRDxxxx, WRM9004<sup>3</sup> and WR9004FS<sup>3</sup> series).
- Virtual network capable through SALTO Virtual Network technology.
- All communications between the carrier and the wall reader are encrypted and secure<sup>4</sup>.
- The maximum cable length between the door controller and the wall reader is up to 400 meters<sup>5</sup>.
- Connection to the wall reader using 4 wire connection, twisted pair.
- Power consumption: 12V DC 400mA (without XS4 2.0 readers), supplied by an adaptor.

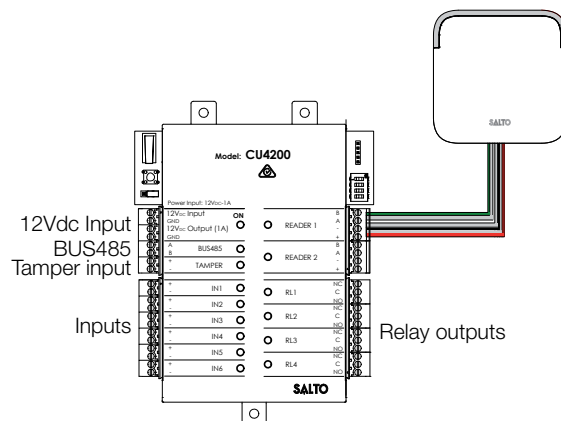
### MECHANICAL ASPECTS:

- Dimensions: 104mm x 131mm x 43,3mm (W x H x D).
- Weight: 0.5kg.

### CERTIFICATIONS:

- CE conform
- UL 294 (pending)
- FCC certified

### INSTALLATION:



<sup>1</sup>If the controller is set up as an auxiliary controller and conncted to a CU42E0 by BUS485

<sup>2</sup> If connected to an online CU42E0or via audit trail if offline.

<sup>3</sup> Not available yet.

<sup>5</sup> Depending on the card and the RFID technology

<sup>5</sup> Depending on the cable.

# SALTO XS4 2.0 AUXILIAR OR OFFLINE CONTROLLER WITH HOUSING

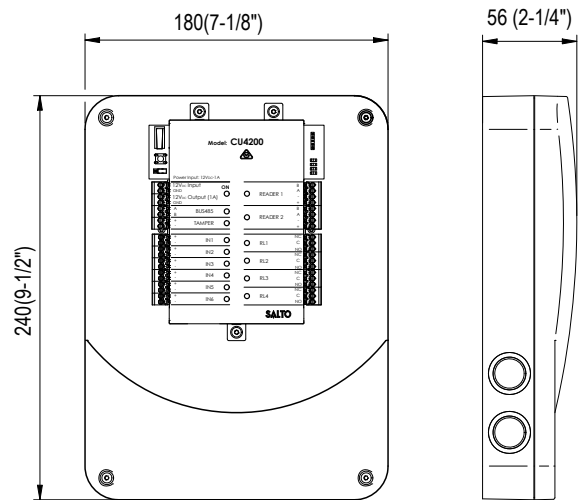
SALTO's latest Control Unit makes it even easier to bring superior access control to your facility thanks to the ability to control and manage multiple doors through one Ethernet connection and one IP address.

The New SALTO XS4 2.0 Controller CU4200 is an auxiliary controller that do not requires an IP address and can be set up as an auxiliary controller connected to an XS4 online controller (CU42E0) or can work as offline controller reducing the costs of installation keeping all the advantages of the SALTO Data-on-card technology.

With the new XS4 2.0 Auxiliary Controller with Housing it is easier to install and it enhanced the aesthetic and sturdiness.

## XS4 2.0 CONTROLLER: AUXILIAR OR OFFLINE WITH HOUSING

### CU4200x



### MAIN FEATURES:

- Two wall reader connection that can be configured as 2 different doors<sup>1</sup>, or one door reader-in and reader-out locking if set up as offline and programmed via PPD.
- Antipass-back mode available by connecting 2 wall readers and set up as one door.
- 4 relay outputs.
- 6 inputs to connect to:
  - Door detector, request to exit switch (RTE), office switch.
- 2 different tamper:
  - One tamper input,
  - and one tamper switch.
- Door monitoring and tamper monitoring via contacts input (intrusion alarm and door left opened alarm)<sup>2</sup>.
- To be used with all SALTO XS4 2.0 Readers (WRDxxxx, WRM9004<sup>3</sup> and WR9004FS<sup>3</sup> series).
- Virtual network capable through SALTO Virtual Network technology.
- All communications between the carrier and the wall reader are encrypted and secure<sup>4</sup>.
- The maximum cable length between the door controller and the wall reader is up to 400 meters<sup>5</sup>.
- Connection to the wall reader using 4 wire connection, twisted pair.
- Power consumption: 12V DC 400mA (without XS4 2.0 readers), supplied by an adaptor.
- 2 different Housing finishes translucent or grey opac.
- 8 pre-punched holes to fit the wiring.
- Screws and caps included.

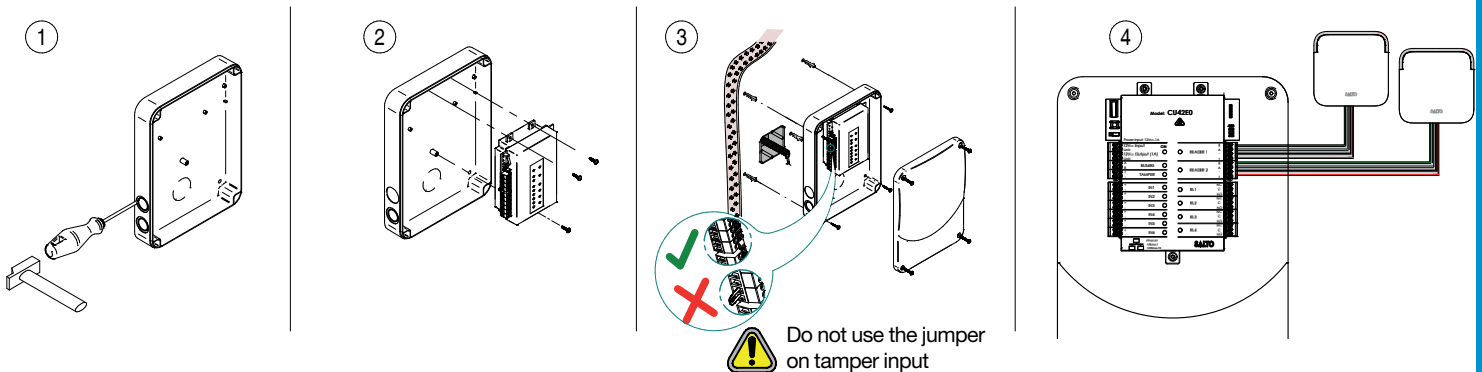
### MECHANICAL ASPECTS:

- Dimensions: 180mm x 240mm x 56mm (W x H x D).
- Weight: 0.7kg.

### CERTIFICATIONS:

- CE conform
- UL 294 (pending)
- FCC certified

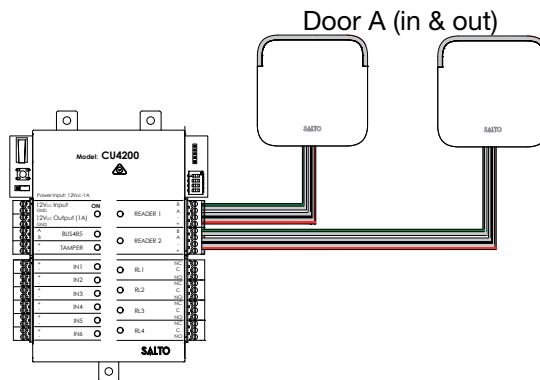
### INSTALLATION:



XS4 2.0 CONTROLLER - AUXILIAR OR OFFLINE DOOR CONTROLLER SETUP:

**OFFLINE AUXILIAR CONTROLLER (CU4200):**

- No online connection.
- Do not requires IP address.
- Initialization via PPD connection with the 3 pin cables directly to the controller or via PPD contactless through the wall reader.
- Set up through SALTO ProAccess SPACE software.
- Set up: as one door (reader in & reader out).
- Access plan update via SALTO Virtual Network capabilities. user access plan and blacklist (list of users card cancelled) is transmitted via the Data-on-card technology.





## ACCESS CONTROL FEATURES:

	R&W SVN
Maximum number of users per door	4,000,000
Maximum number of doors per system	64,000
Maximum events on controller audit	5,000
Time zones	256
Automatic changes tables in system	1,024
Calendars in system	256
Access levels in system	unlimited
Zones in system	1,024
Management software	ProAccess SPACE

## SALTO VIRTUAL NETWORK CAPABILITIES

- Add or delete access privileges at will to the ID carriers.
- The ability to validate the expiry date of key cards on any SVN Online wall reader.
- Add security through additional authenticated validation procedures including pin codes as well the ability to blacklist cards from the system.
- On card audit-trailing to track staff or visitor movement.
- Lock specific battery power data is registered on any card using the lock - staff or visitor - and transferred back to the PC control software via any update reader just by using the system.
- Expiry date can be extended if network connection is lost.

## AVAILABLE OPENING MODES:

- **STANDARD:** Locked at all times.
- **AUTOMATIC CHANGES:** Any opening mode can be performed through logical set up of the controller.

## ONLINE FEATURES FOR ONLINE CONTROLLERS

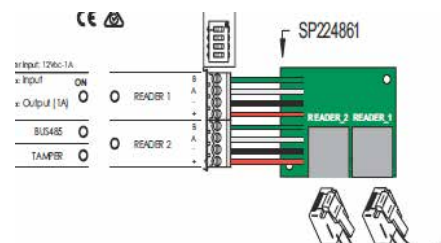
### REAL-TIME ACCESS CONTROL CHANGES:

- Live monitoring of user entry and exit through the door controller.
- Live audit trail build up on the software.
- Door monitoring status for forced door and door left open alarm.
- Remote door opening from software.
- Door lock out or lock open emergency setting from software.
- The IP door controller can be included in roll call set up used, for example for user location monitoring parking controls etc
- Works as Online hub up to Online Energy Saving Devices (pending).
- Connected to standard Ethernet network.
- Works off-line if the network connection is lost.
- Communications between the SALTO Service /online controller and auxiliary controller is secured and encrypted by AES 128 encryption.
- Invalidates deleted cards.

## ACCESSORIES:

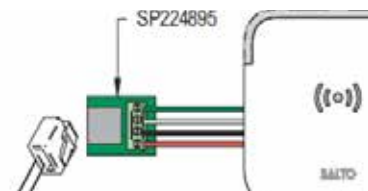
### Model SP224861

Connecting circuit RJ45 cable adaptor for CU42E0 or CU4200.



### Model SP224895

Connecting circuit adaptor for RJ45 cable for WRDBxxx series.



Datasheet-XS4CU42xx\_ENG\_09\_15