

//DATASHEET

SALTO KS |

The easy wireless cloud-based locking solution

SALTO KS is the new access control platform from SALTO enabling users to control and manage greater range of applications than ever before. Manage locks, people, messages and access rights with no hassle. Immediate access control. From everywhere. Truly wireless.

Wall Reader & Control Unit SALTO KS

SALTO \ KS
Keys as a Service

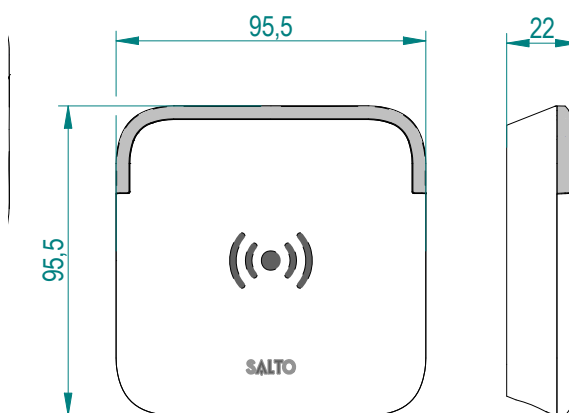


SALTO KS WALL READER

The revolutionary design of the SALTO KS Wall Reader in combination with the SALTO KS Control Unit, allows to optimize access control to all those doors where an electronic lock cannot be fitted. For example, fences, lifts, mechanic doors, barriers and so on.

SALTO KS: WALL READER

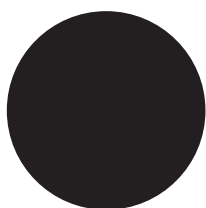
Model WRD90E4xY



MAIN FEATURES:

- Contactless reading of the SALTO KS Tag.
- Optical signalling through innovative LED design. Dual colour green/red to indicate access authorisation.
- Available in 2 different colors: Black and White.
- Connection to the SALTO KS Control Unit using UTP CAT 5 cable Max 100m (200m if 2 pairs are used for the red and the black cables)
- Concealed fixing screws for greater security and improved aesthetics.
- Gang electrical standard box measures.
- Dimensions: 96mm x 96mm x 15.5mm (W x H x D).
- IP66 protection rating.

FINISHES:



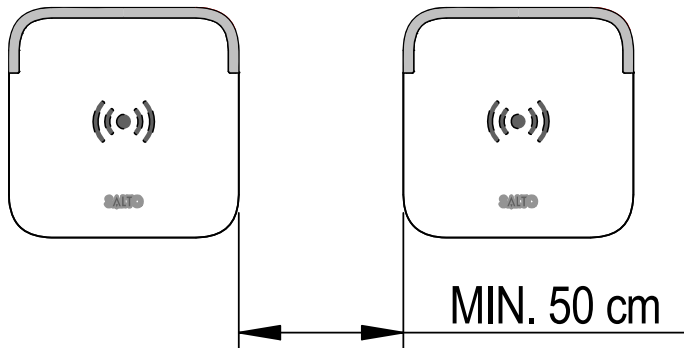
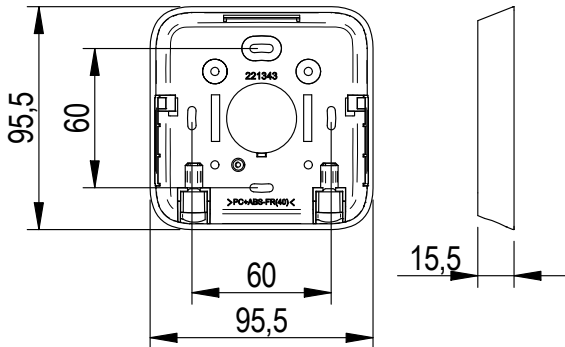
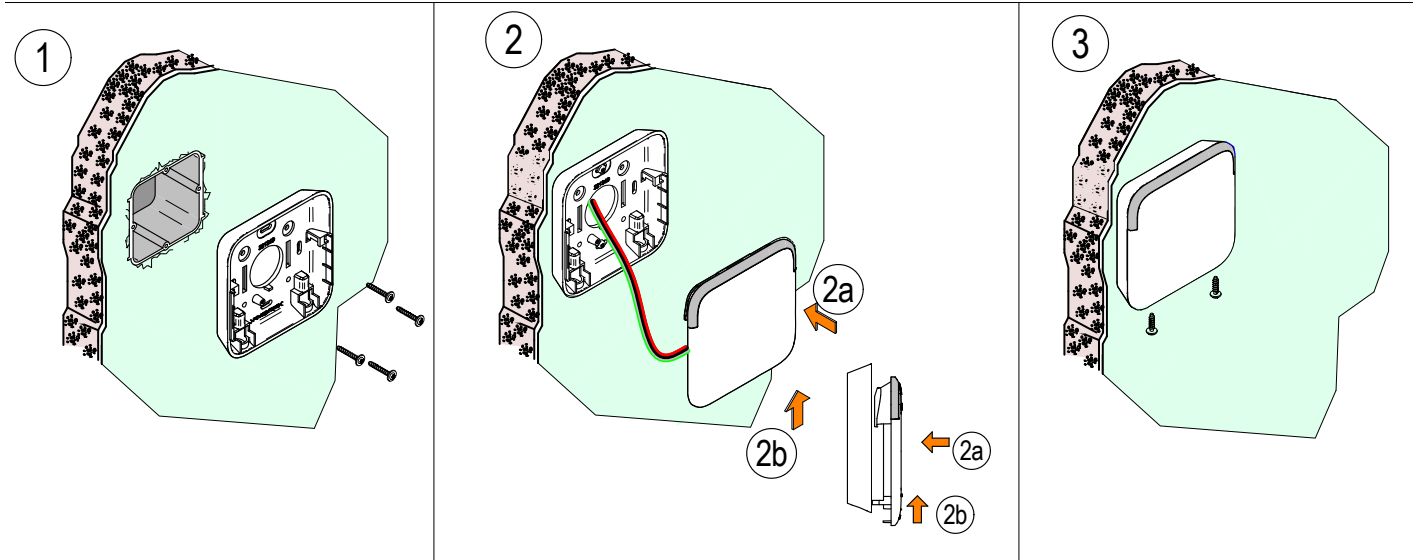
Black



White

SALTO KS WALL READER INSTALLATION PROCESS

SALTO KS WALL READER

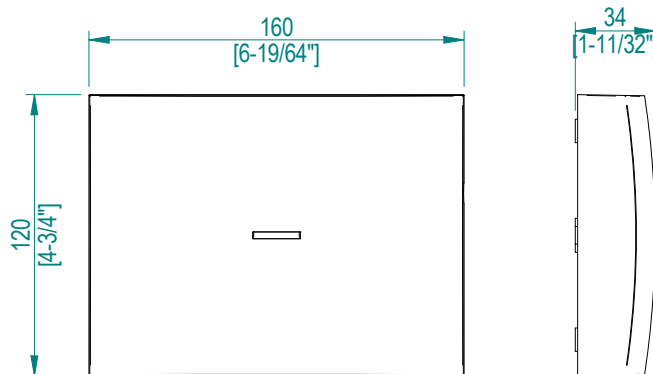


SALTO KS CONTROL UNIT 4000 SERIES

The SALTO KS Control Unit allows to increase and improve the benefits, thanks to the wall reader, to all those accesses where a lock can't be installed. It talks wirelessly with the IQ, and reporting all events that take place on the Wall Reader SALTO KS.

SALTO KS: CONTROL UNIT

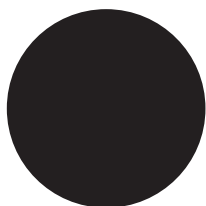
Model CU41xYx



MAIN FEATURES:

- SALTO KS wireless version for wireless real-time control.
- All communications between the SALTO KS IQ/ Repeater and the SALTO KS locking device.
- Wall Reader are encrypted and secure.
- Wireless radio frequency based on IEEE 802.15.4 at 2,4Ghz
- Cover box available in 2 different colors: Black and White.
- Concealed fixing screws for greater security and improved aesthetics.
- Dimensions: 160mm x 120mm x 34mm (W x H x D).
- LED Signalization. Green: Connected to IQ; Red: Not connected to IQ.
- SALTO Power Supply included. Optional: User Power Supply input available.

FINISHES:



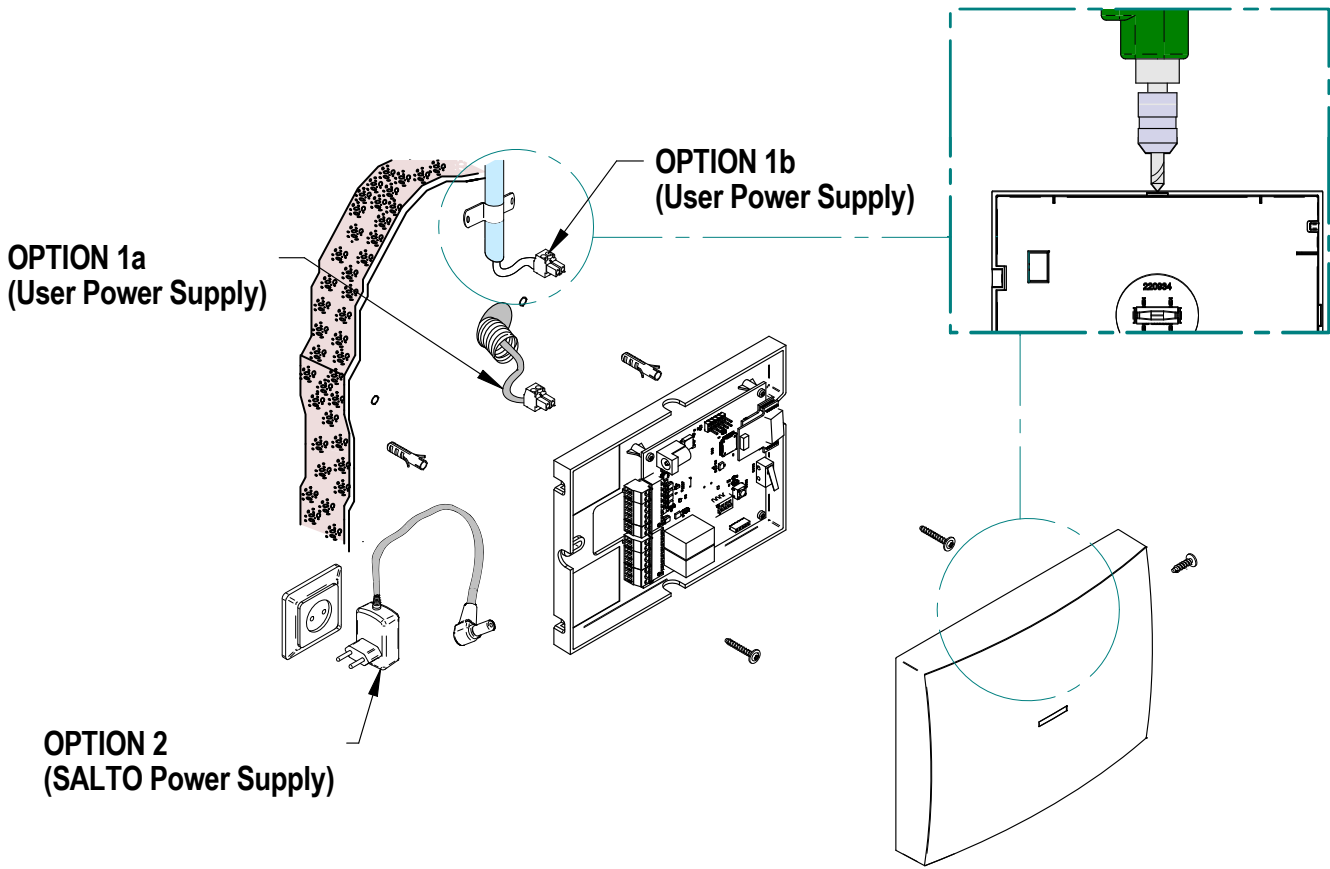
Black



White

SALTO KS CONTROL UNIT INSTALLATION PROCESS

SALTO KS CONTROL UNIT



SALTO KS WALL READER AND CONTROL UNIT CONNECTION

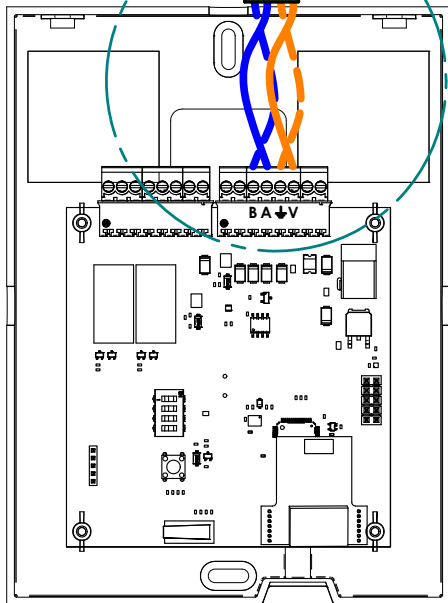
Wall Reader



- (Eng)** • Only connect to CU41xx
• UTP cat 5 Max 100m (200m if 2 pairs are used for the red and black)
- (E)** • Solo conectar a CU41xx
• UTP cat 5 Max 100m (200m si se utilizan 2 pares para el rojo y el negro)
- (D)** • Nur für Steuereinheit CU41xx
• UTP CAT5 bis zu 100 Meter (200 Meter wenn für rot und schwarz 2 Paare verwendet werden)
- (F)** • Connecter uniquement à la CU41xx
• UTP cat 5 Max 100m (200m en utilisant 2 paires pour le rouge et noire)

- Red **(Eng)**
- Rojo **(E)**
- Rot **(D)**
- Rouge **(F)**

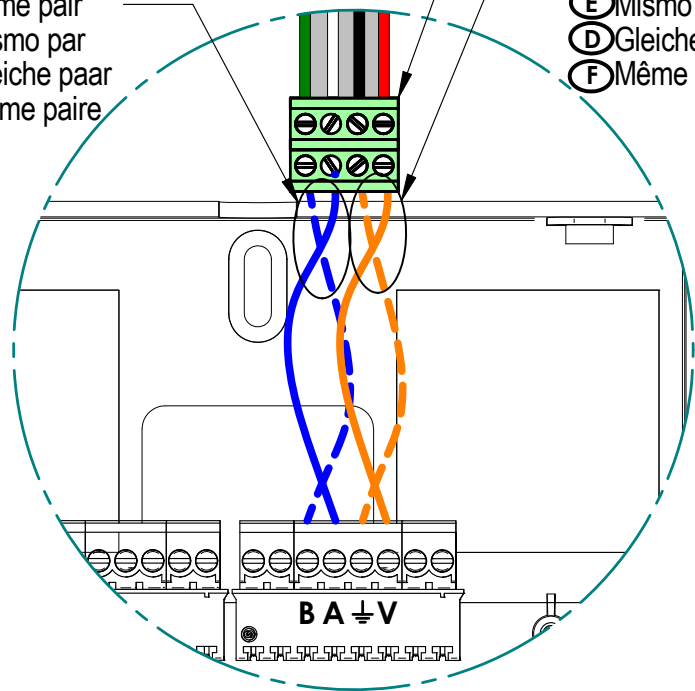
Control Unit
CU41xx



- (Eng)** Same pair
- (E)** Mismo par
- (D)** Gleiche paar
- (F)** Même paire

Not included

- (Eng)** Same pair
- (E)** Mismo par
- (D)** Gleiche paar
- (F)** Même paire



ELECTRICAL FEATURES:

Wall Reader Electrical Features:

OPERATION CONDITIONS:

- Temperature: -35-66°.

Control Unit Electrical Features:

OPERATION CONDITIONS:

- Temperature: 0-40°.

2,4Ghz RF CHARACTERISTICS:

- Frequency Range: 2405-2480Mhz (ISM band).
- RF Standard: IEEE 802.15.4.
- Indoor Radio Range: 10/15m.

POWER SUPPLY CHARACTERISTICS (Only for use with SALTO KS's power supply)

- Output Voltage: 12v
- Max. current: 800mA

TECHNICAL DATA:

WR CERTIFICATIONS:

- Declaration of Conformity CE
- Use of radio frequency spectrum**
 - ETSI EN 302 291-1 v1.1.1 (2005-07)
 - ETSI EN 302 291-2 v1.1.1 (2005-07)
- Electromagnetic Compatibility**
 - ETSI EN 301 489-1 v1.9.2 (2011-09)
 - ETSI EN 301 489-3 v1.4.1 (2003-08)
- Security requirements**
 - EN 60950-1(2006)/A11(2009)/A1(2010)/A12(2011)
 - Following the provisions of the directive the directive 1999/5/EC (R&TTE) and the directive 2011/65/EU of the European Parliament and of the Council of 8 June 2011 on the restriction of the use of certain hazardous substances in electrical and electronic equipment.

CU CERTIFICATIONS:

- Declaration of Conformity CE
- Use of radio frequency spectrum**
 - ETSI EN 300 328 v1.7.1 (2006-10)
- Electromagnetic Compatibility**
 - ETSI EN 301 489-1 (2011-09)
 - ETSI EN 301 489-3 (2002-08)
- Security requirements**
 - EN 60950-1(2006)/A11(2009)/A1(2010)/A12(2011)
 - Following the provisions of the directive the directive 1999/5/EC (R&TTE) and the Directive 2011/65/EU of the European Parliament and of the Council of 8 June 2011 on the restriction of the use of certain hazardous substances in electrical and electronic equipment.

SALTOKS.COM & SALTO KS APP: FEATURES

No software installation, scaling on any device, secured login, intuitive design, anything you may expect from today's cloud solution is in saltoks.com. Manage locks, people, messages and access rights with no hassle.

The Dashboard: saltoks.com always gives you up-to-date information and remote management of all SALTO KS components through the dashboard (door status, last entries, events and so on).

- **Access rights:** saltoks.com gives you the opportunity to individually determine who enters when and where. And if you want to change that just log-in, make your changes and it's done. No updating of SALTO KS Tag or SALTO KS Doorlock required.
- **Messaging:** saltoks.com always gives you up-to-date information and remote management of all SALTO KS components through the dashboard.
- **Security:** SALTO KS understands the importance of security. That's why we have incorporated state-of-the-art security measures in all our components and more important, we will keep updating that permanently. Not always visible but always there.
- **Remote opening:** One of the cool but really functional features of SALTO KS is the remote opening of doors with secure OneTimePassword technology. You may not use it every day but when you need it, you will be happy it's there.
- **Any device, any platform:** saltoks.com has been developed supporting all the latest browsers, devices and operating systems. From iOS to Windows and from laptop to Ipad.
- **SALTO KS App:** Available for IOS and Android Phones the SALTO KS App enables you to manage your SALTO KS system when you are on the go.

SALTO Systems S.L. reserves the right to modify technical specifications, designs and performance without notice. © SALTO Systems 2016